

# SENSPOT



**New**

LED downlight  
with detection and  
superior watertightness

**Securlite**  
DURABLE LIGHT

# SENSPOT

New LED downlight for communal areas and outdoor environments.

## Plus points

Very compact  
Built-in microwave detection  
Sealed to IP65



SENSPOT LED is a new flush-mounting spot for hallways and circulation areas in residential or public buildings, as well as for outdoor spaces.

With high impact resistance (IK10/20J) and sealed against insects and water/particulate matter (IP65), the new SENSPOT downlight is discreet and compact, thanks to its fluid design.

Built into a white-lacquered zamak base, the crystal polycarbonate diffuser and technical reflector provide soft, controlled light, while reducing power consumption.

In this way, the presence detector version of the SENSPOT LED makes it possible to achieve up to 80% energy savings compared to a conventional fluorescent spot on a timer. It is available in two colour temperatures, 4000 K and 3000 K (on request), and offers high luminaire efficacy of up to 108 lm/W.

In the IP44 version, the SENSPOT can be installed within shallow ceiling voids, thanks to its reduced height of just 72 mm.

The presence detector can be remotely adjusted in order to optimize the illumination time (from 5 s to 30 min.).

With a life expectancy of 50,000 hours and a 5-year guarantee, the SENSPOT offers performance and quality.

*SENSPOT carries the Origine France Garantie quality mark.*



BVCert. 6037554



# SENSPOT

## Features:

- Impact-resistant flush-mounting spot
- White polyester lacquered zamak bezel
- Clear crystal polycarbonate diffuser
- White polycarbonate reflector
- Remote-control detector adjustment
- Separate power supply
- Suitable for outdoor environments (IP65)
- Connection type:  
IP44 version: remote IP20 power supply  
IP65 version: remote IP20 power supply in sealed box

Options available on request:

- 3000 K LEDs

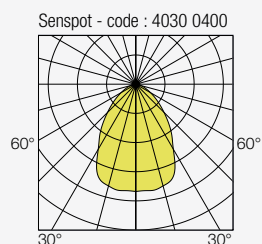
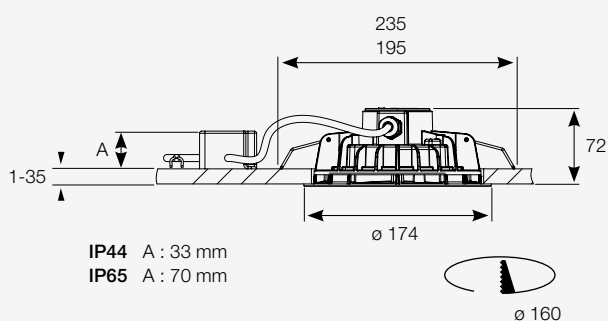
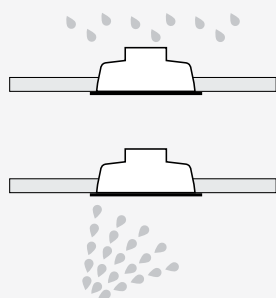
Color: white RAL9003

Radio remote control to be ordered separately  
code: 9800 0010

230 V AC / 50 Hz   RoHS



NEW!  
Sealed front and rear



## SENSPOT LED IP65

 **i direct 403**

LED modules	Height (h)	Power (W)	Luminaire light output (lm)	Luminaire efficacy (lm/W)	CCT (K) (CRI min.)	Code
LED 1700	72	12	1300	108	4000 (80)	<b>4030 04 --</b>
LED 2200	72	16	1630	102	4000 (80)	<b>4031 04 --</b>

## SENSPOT LED IP44


 **i direct 403**

LED modules	Height (h)	Power (W)	Luminaire light output (lm)	Luminaire efficacy (lm/W)	CCT (K) (CRI min.)	Code
LED 1700	72	12	1300	108	4000 (80)	<b>4035 04 --</b>
LED 2200	72	16	1630	102	4000 (80)	<b>4036 04 --</b>

Coding:

replace the two dashes (--) by the corresponding figures:

e.g. **4030 04 --**

-  **00** no detection
- 03** slave version + extinction or stand-by warning
- 43** with Pro detection + remote-adjustable extinction or standby warning

 **i direct 403** Enter this access code on the homepage of our website to check update information.





New Luminaires catalogue 2017  
Request your copy on 02 43 60 40 00, or e-mail: [contact@securlite.com](mailto:contact@securlite.com)

An expert in long-life and vandal-resistant lighting for over 30 years, French company SECURLITE designs, manufactures, and sells LED luminaires specifically intended to save energy and reduce maintenance.

Our lighting solutions for social housing, local authorities, public transport, and high-security buildings carry the Origine France Garantie quality mark.

Don't hesitate to contact us for technical details or to request a design analysis.

**SÉCURLITE**  
Z.I. des Ajeux  
72400 La Ferté-Bernard  
France  
Tél. : +33 (0)2 43 60 40 00  
Fax : +33 (0)2 43 60 40 09  
Email : [export@securlite.com](mailto:export@securlite.com)  
[www.securlite.com](http://www.securlite.com)

Technical and dimensional data are given for information only and may be modified at any time without notice. Please enquire before ordering.  
Terms and conditions are available at: [www.securlite.com/terms](http://www.securlite.com/terms)  
or upon request from our Sales Department.



Printed on PEFC paper, guaranteeing a sustainably-managed forest.  
(Program for the Endorsement of Forest Certification)  
Photo credits: Securlite – Studio Image (Belgium)  
Antoine Duhamel Photography – Istock

CAT0570 - EN - May 2017